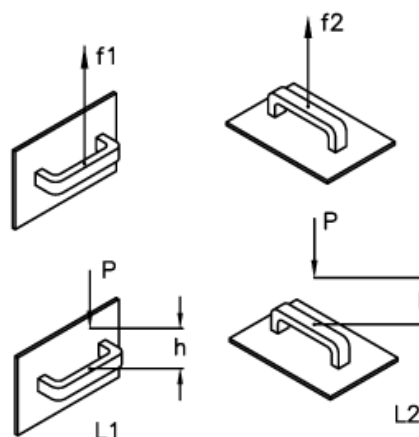
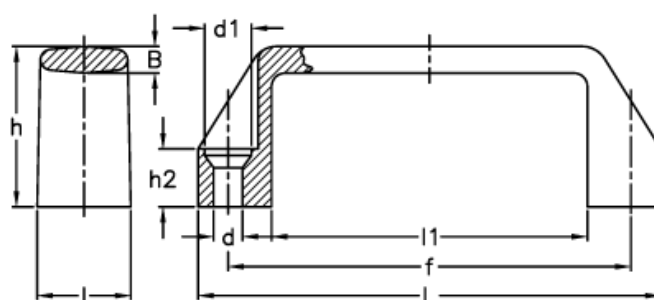


# Data Sheet



Article number: 2304037036  
Description: E+G Handle  
M.443/110-SH

## Measures



$$L[J]=P[N]\cdot h[m]$$

B	= 6	l	= 21
d	= 5.5	L	= 107
d1	= 10	l1	= 74
f	= 93,5 +/-0,5	L1 (J)	= 16
F1 (N)	= 2000	L2 (J)	= 6
F2 (N)	= 2200		
h	= 36		
h2	= 13		